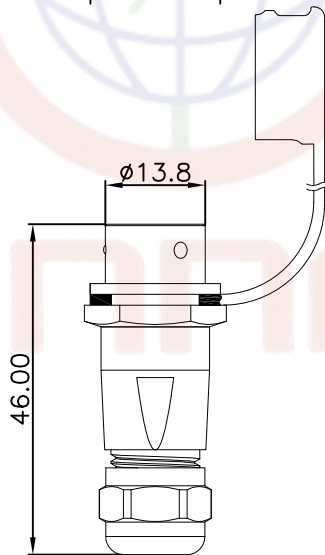
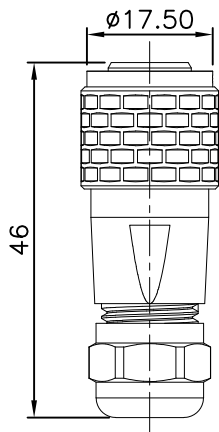
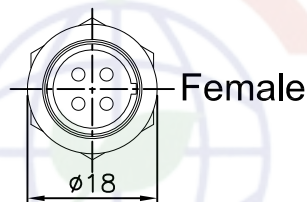
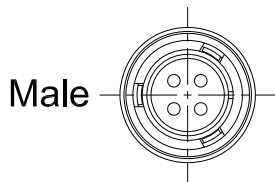
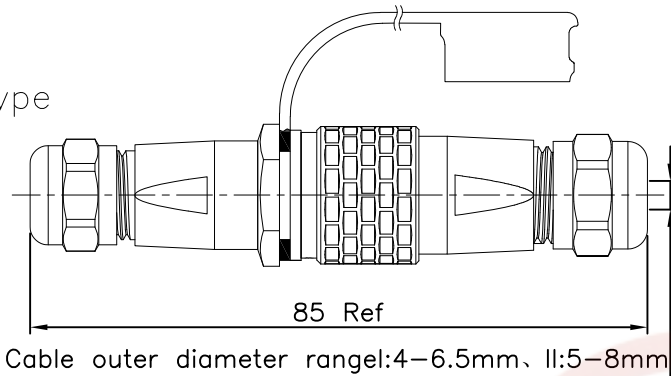


Dept	
Qty	
DC	1
ED	1
IE	1
ISO	1
PD	1
R&D	1
SD	1
QA	1
QC	1
QE	1

The information provided herein is from CONNFLY Electronic Co., Ltd. and is confidential. Any disclosure to a party other than the recipient is prohibited. The intellectual properties and its rights of CONNFLY Electronic Co., Ltd. are strictly protected. Any modification is strictly prohibited without prior written consent from CONNFLY. All intellectual properties provided herein are for reference purposes only and does not constitute authorization of its use in any format or manner. CONNFLY may enforce its intellectual property rights at its own discretion; failures or delays to exercise such rights does not constitute a waiver of such rights.

REV.	DESCRIPTION	DRAWN	CHECKED	APPROVED
A	NEW RELEASE	WPY 02/08/25'		

Docking type



Note:

Specifications:

1. Rated voltage: 125V/180V/200V/250V
2. Rated current: 3A/5A/13A
3. Contact resistance: 2.5mΩ / 5mΩ / 10mΩ
4. Withstand voltage: 1200V-1500V
5. Operating temperature: -40°C to +85°C
6. Wiring method: Solder

Materials:

1. Shell material: Brass with chrome plating
2. Insulation material: PPS
High temperature resistance 260°C
3. IP rating: IP67
4. Contact material: Brass with gold plating

Product Number Code:

DS1110-65-X X X X X X X

- Install Type:
A: Docking type
- Mounting type:
V: straight connector
- Cable diameter:
1: 4-6.5mm 2: 5-8mm
- Contact Plating:
8: Gold flash
- Color of shell:
S: Silvery
- Color of housing:
B: Black
- No. of Contacts:
2 3 4 5 6 7 9

GENERAL TOLERANCE		ANGLE TOLERANCE	
X.	±0.60	X.	±5°
.X	±0.38	.X	±3°
.XX	±0.25	.XX	±2°
DRAWING TYPE		CUSTOMER	
SCALE	1:1	SHEET	1 OF 7
DRAWING NO.	C-DS1110-65-XXXXXXX-A		

PROJECTION		TITLE	12mm push-in fast locking aviation plug (Copper chrome plating)
UNITS	mm	SERIES	DS1110-65 Series
SHEET SIZE	A4		

晨翔电子有限公司
CONNFLY CONNFLY ELECTRONIC CO. LTD

The information provided herein is from CONNFLY Electronic Co., Ltd. and is confidential. Any disclosure to a party other than the recipient is prohibited. The intellectual properties and its rights of CONNFLY Electronic Co., Ltd. are reserved. All intellectual properties provided herein are for reference purposes only and does not constitute authorization of its use in any format or manner. CONNFLY may enforce its intellectual property rights at its own discretion; failures or delays to exercise such rights does not constitute a waiver of such rights.

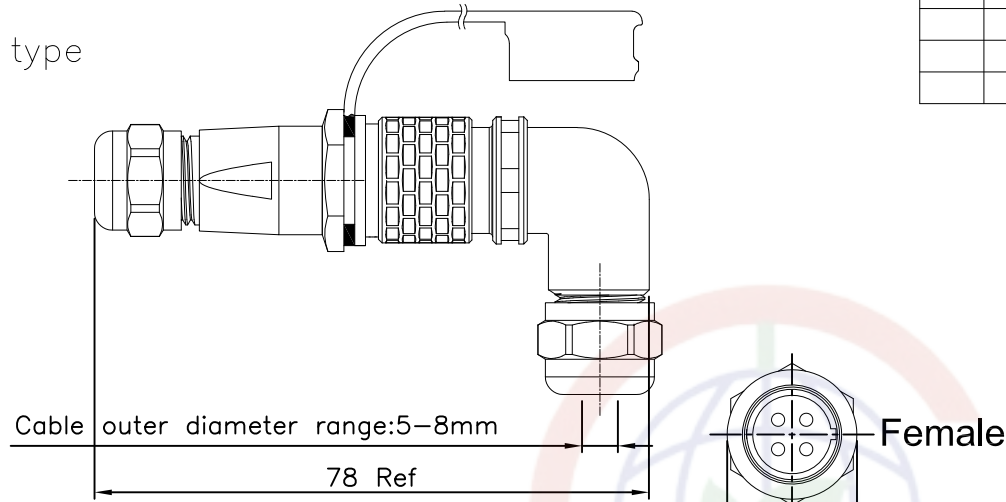
1 2 3 4 5 6 7 8

Dept	Qty
DC	1
ED	1
IE	1
ISO	1
PD	1
R&D	1
SD	1
QA	1
QC	1
QE	1

A
B
C
D
E
F
G
H

REV.	DESCRIPTION	DRAWN	CHECKED	APPROVED
A	NEW RELEASE	WPY 02/08/25'		

Docking type



Note:

Specifications:

1. Rated voltage: 125V/180V/200V/250V
2. Rated current: 3A/5A/13A
3. Contact resistance: 2.5mΩ / 5mΩ / 10mΩ
4. Withstand voltage: 1200V-1500V
5. Operating temperature: -40°C to +85°C
6. Wiring method: Solder

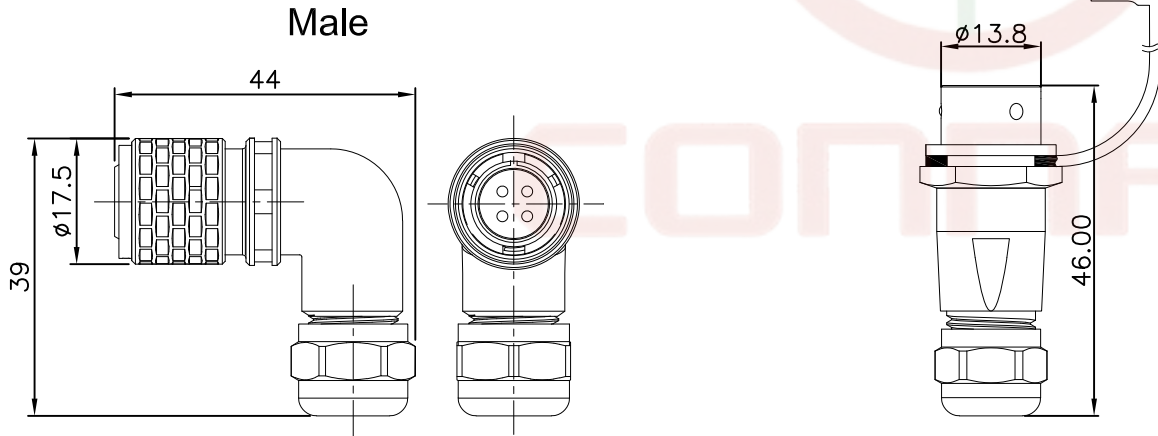
Materials:

1. Shell material: Brass with chrome plating
2. Insulation material: PPS
High temperature resistance 260°C
3. IP rating: IP67
4. Contact material: Brass with gold plating

Product Number Code:

DS1110-65-X X X X X X X

- Install Type:
 - A: Docking type
- Mounting type:
 - R: Elbow
- Cable diameter:
 - 2: 5-8mm
- Contact Plating:
 - 8: Gold flash
- Color of shell:
 - S: Silvery
- Color of housing:
 - B: Black
- No. of Contacts:
 - 2 3 4 5 6 7 9



GENERAL TOLERANCE		ANGLE TOLERANCE	
X.	±0.60	X.	±5°
.X	±0.38	.X	±3°
.XX	±0.25	.XX	±2°
DRAWING TYPE		CUSTOMER	
SCALE		1:1	SHEET 2 OF 7
DRAWING NO.		C-DS1110-65-XXXXXXX-A	

PROJECTION		TITLE	12mm push-in fast locking aviation plug (Copper chrome plating)
UNITS	mm	SERIES	DS1110-65 Series

晨翔电子有限公司
CONNFLY CONNFLY ELECTRONIC CO. LTD

1 2 3 4 5 6 7 8

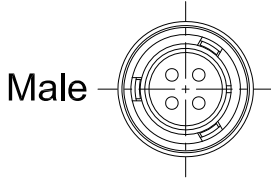
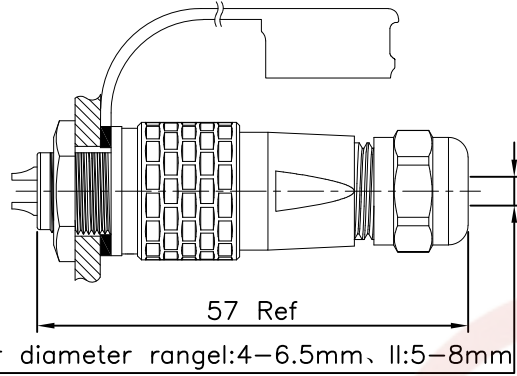
The information provided herein is from CONNFLY Electronic Co., Ltd. and is confidential. Any disclosure to a party other than the recipient is prohibited. The intellectual properties and its rights of CONNFLY Electronic Co., Ltd. are strictly protected. All intellectual properties provided herein are for reference purposes only and does not constitute authorization of its use in any format or manner. CONNFLY may enforce its intellectual property rights at its own discretion; failures or delays to exercise such rights does not constitute a waiver of such rights.

1 2 3 4 5 6 7 8

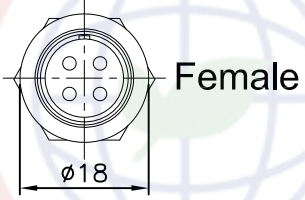
REV.	DESCRIPTION	DRAWN	CHECKED	APPROVED
A	NEW RELEASE	WPY 02/08/25'		

A B C D E F G H

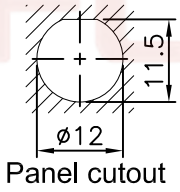
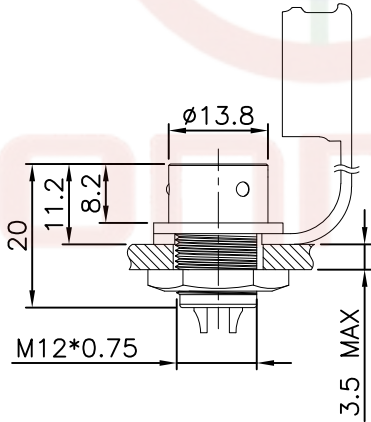
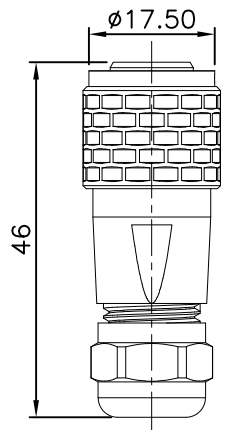
Rear nut type



Male



Female



Panel cutout

Note:

Specifications:

1. Rated voltage:125V/180V/200V/250V
2. Rated current:3A/5A/13A
3. Contact resistance:2.5mΩ /5mΩ /10mΩ
4. Withstand voltage:1200V-1500V
5. Operating temperature: -40°C to +85°C
6. Wiring method: Solder

Materials:

1. Shell material: Brass with chrome plating
2. Insulation material: PPS
High temperature resistance 260°C
3. IP rating:IP67
4. Contact material: Brass with gold plating

Product Number Code:

DS1110-65-X X X X X X X

- Install Type:
- B:Rear nut type
- Mounting type:
- V:straight connector
- Cable diameter:
- 1:4-6.5mm 2:5-8mm
- Contact Plating:
- 8:Gold flash
- Color of shell:
- S:Silvery
- Color of housing:
- B:Black
- No.of Contacts:
- 2 3 4 5 6 7 9



GENERAL TOLERANCE		ANGLE TOLERANCE	
X.	±0.60	X.	±5°
.X	±0.38	.X	±3°
.XX	±0.25	.XX	±2°

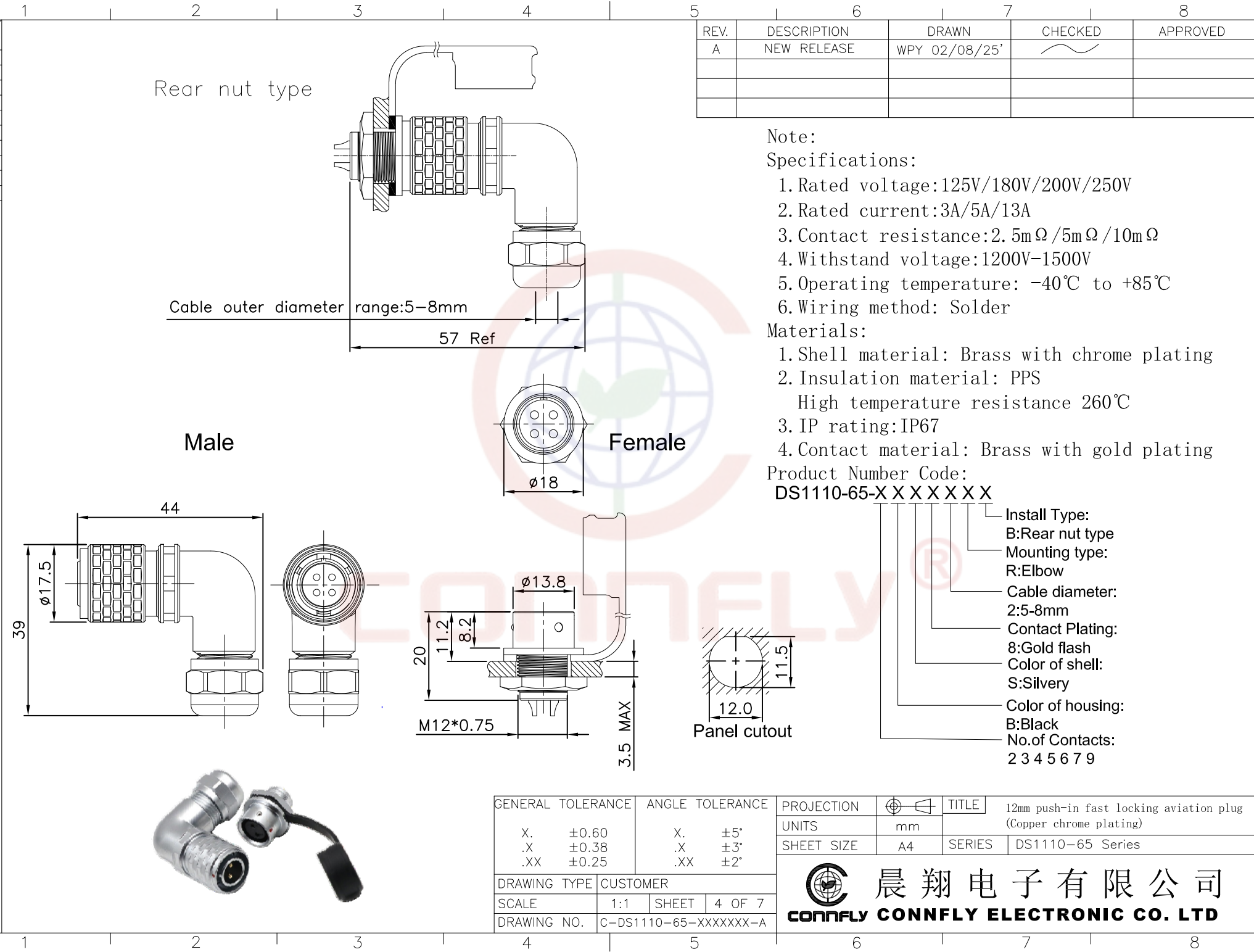
PROJECTION	TITLE
	12mm push-in fast locking aviation plug (Copper chrome plating)
UNITS	mm
SHEET SIZE	A4
SERIES	DS1110-65 Series

DRAWING TYPE	CUSTOMER
SCALE	1:1 SHEET 3 OF 7
DRAWING NO.	C-DS1110-65-XXXXXXX-A

晨翔电子有限公司
CONNFLY CONNFLY ELECTRONIC CO. LTD

1 2 3 4 5 6 7 8

The information provided herein is from CONNFLY Electronic Co., Ltd. and is confidential. Any disclosure to a party other than the recipient is prohibited. The intellectual properties and its rights of CONNFLY Electronic Co., Ltd. are strictly protected. All intellectual properties provided herein are for reference purposes only and does not constitute authorization of its use in any format or manner. CONNFLY may enforce its intellectual property rights at its own discretion; failures or delays to exercise such rights does not constitute a waiver of such rights.



Rear nut type

Cable outer diameter range:5-8mm

57 Ref

Male

Female

∅18

∅13.8

Panel cutout



REV.	DESCRIPTION	DRAWN	CHECKED	APPROVED
A	NEW RELEASE	WPY 02/08/25'		

Note:

Specifications:

- Rated voltage:125V/180V/200V/250V
- Rated current:3A/5A/13A
- Contact resistance:2.5mΩ /5mΩ /10mΩ
- Withstand voltage:1200V-1500V
- Operating temperature: -40°C to +85°C
- Wiring method: Solder

Materials:

- Shell material: Brass with chrome plating
- Insulation material: PPS
High temperature resistance 260°C
- IP rating:IP67
- Contact material: Brass with gold plating

Product Number Code:

DS1110-65-X X X X X X X

- Install Type:
- B:Rear nut type
- Mounting type:
- R:Elbow
- Cable diameter:
- 2:5-8mm
- Contact Plating:
- 8:Gold flash
- Color of shell:
- S:Silvery
- Color of housing:
- B:Black
- No.of Contacts:
- 2 3 4 5 6 7 9

GENERAL TOLERANCE		ANGLE TOLERANCE	
X.	±0.60	X.	±5°
.X	±0.38	.X	±3°
.XX	±0.25	.XX	±2°

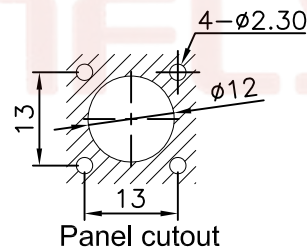
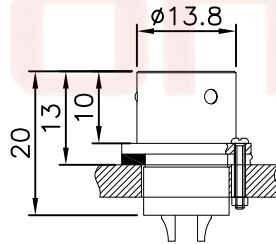
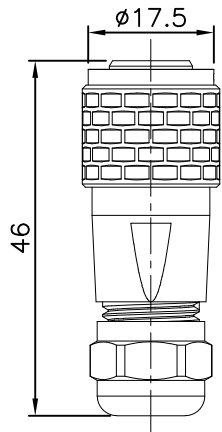
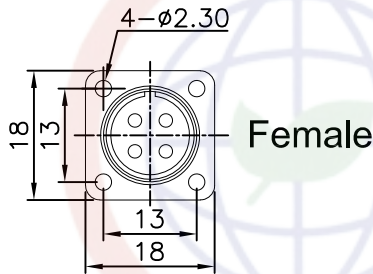
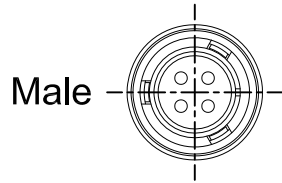
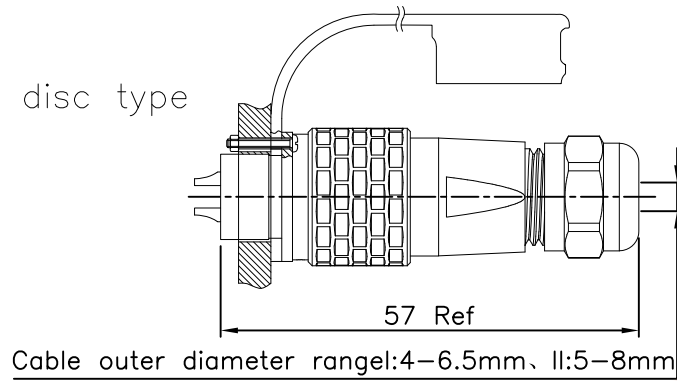
PROJECTION	TITLE
	12mm push-in fast locking aviation plug (Copper chrome plating)
UNITS	mm
SHEET SIZE	A4
SERIES	DS1110-65 Series

DRAWING TYPE	CUSTOMER
SCALE	1:1
DRAWING NO.	C-DS1110-65-XXXXXXX-A

晨翔电子有限公司
CONNFLY CONNFLY ELECTRONIC CO. LTD

The information provided herein is from CONNELY Electronic Co., Ltd. and is confidential. Any disclosure to a party other than the recipient is prohibited. The intellectual properties and its rights of CONNELY Electronic Co., Ltd. are strictly protected. All intellectual properties provided herein are for reference purposes only and does not constitute authorization of its use in any format or manner. CONNELY may enforce its intellectual property rights at its own discretion; failures or delays to exercise such rights does not constitute a waiver of such rights.

Square disc type



REV.	DESCRIPTION	DRAWN	CHECKED	APPROVED
A	NEW RELEASE	WPY 02/08/25'		

Note:

Specifications:

1. Rated voltage:125V/180V/200V/250V
2. Rated current:3A/5A/13A
3. Contact resistance:2.5mΩ /5mΩ /10mΩ
4. Withstand voltage:1200V-1500V
5. Operating temperature: -40°C to +85°C
6. Wiring method: Solder

Materials:

1. Shell material: Brass with chrome plating
2. Insulation material: PPS
High temperature resistance 260°C
3. IP rating:IP67
4. Contact material: Brass with gold plating

Product Number Code:

DS1110-65-X X X X X X X

- Install Type:
- C:Square disc type
- Mounting type:
- V:straight connector
- Cable diameter:
- 1:4-6.5mm 2:5-8mm
- Contact Plating:
- 8:Gold flash
- Color of shell:
- S:Silvery
- Color of housing:
- B:Black
- No.of Contacts:
- 2 3 4 5 6 7 9

GENERAL TOLERANCE		ANGLE TOLERANCE	
X.	±0.60	X.	±5°
.X	±0.38	.X	±3°
.XX	±0.25	.XX	±2°

PROJECTION	TITLE
	12mm push-in fast locking aviation plug (Copper chrome plating)
UNITS	mm
SHEET SIZE	A4
SERIES	DS1110-65 Series

DRAWING TYPE	CUSTOMER		
SCALE	1:1	SHEET	5 OF 7
DRAWING NO.	C-DS1110-65-XXXXXXX-A		

晨翔电子有限公司
CONNELY CONNELY ELECTRONIC CO. LTD

The information provided herein is from CONNELY Electronic Co., Ltd. and is confidential. Any disclosure to a party other than the recipient is prohibited. The intellectual properties and its rights of CONNELY Electronic Co., Ltd. are strictly protected. All intellectual properties provided herein are for reference purposes only and does not constitute authorization of its use in any format or manner. CONNELY may enforce its intellectual property rights at its own discretion; failures or delays to exercise such rights does not constitute a waiver of such rights.

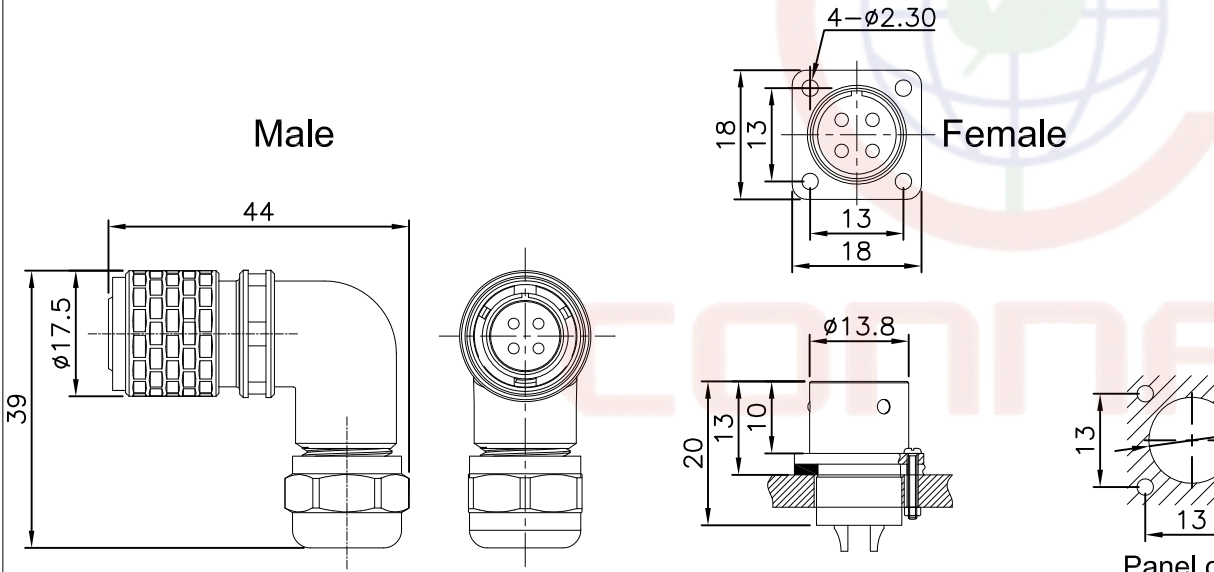
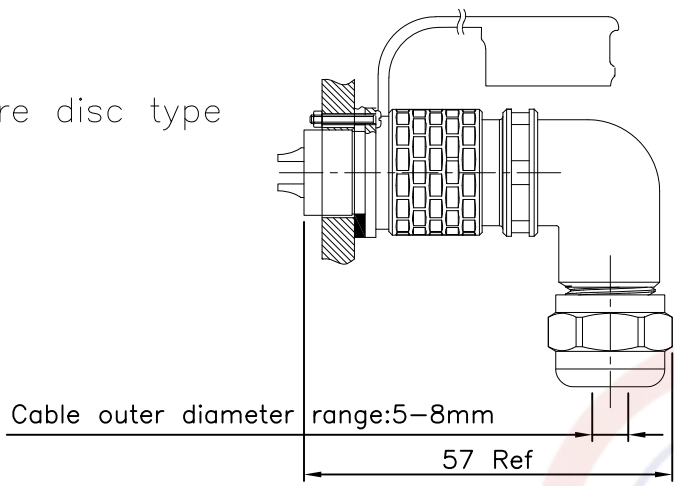
1 2 3 4 5 6 7 8

Dept	Qty
DC	1
ED	1
IE	1
ISO	1
PD	1
R&D	1
SD	1
QA	1
QC	1
QE	1

A B C D E F G H

REV.	DESCRIPTION	DRAWN	CHECKED	APPROVED
A	NEW RELEASE	WPY 02/08/25'		

Square disc type



Note:

Specifications:

1. Rated voltage: 125V/180V/200V/250V
2. Rated current: 3A/5A/13A
3. Contact resistance: 2.5m Ω / 5m Ω / 10m Ω
4. Withstand voltage: 1200V-1500V
5. Operating temperature: -40°C to +85°C
6. Wiring method: Solder

Materials:

1. Shell material: Brass with chrome plating
2. Insulation material: PPS
High temperature resistance 260°C
3. IP rating: IP67
4. Contact material: Brass with gold plating

Product Number Code:

DS1110-65-X X X X X X X

- Install Type: C: Square disc type
- Mounting type: R: Elbow
- Cable diameter: 2: 5-8mm
- Contact Plating: 8: Gold flash
- Color of shell: S: Silvery
- Color of housing: B: Black
- No. of Contacts: 2 3 4 5 6 7 9



GENERAL TOLERANCE		ANGLE TOLERANCE	
X.	± 0.60	X.	$\pm 5^\circ$
.X	± 0.38	.X	$\pm 3^\circ$
.XX	± 0.25	.XX	$\pm 2^\circ$

PROJECTION		TITLE	12mm push-in fast locking aviation plug (Copper chrome plating)
UNITS	mm	SERIES	DS1110-65 Series

DRAWING TYPE	CUSTOMER		
SCALE	1:1	SHEET	6 OF 7
DRAWING NO.	C-DS1110-65-XXXXXXX-A		

晨翔电子有限公司
CONNELY CONNELY ELECTRONIC CO. LTD

1 2 3 4 5 6 7 8

Dept
Qty

DC 1
ED 1
IE 1
ISO 1
PD 1
R&D 1
SD 1
QA 1
QC 1
QE 1

The information provided herein is from CONNFLY Electronic Co., Ltd. and is confidential. Any disclosure to a party other than the recipient is prohibited. The intellectual properties and its rights of CONNFLY Electronic Co., Ltd. are strictly protected. All intellectual properties provided herein are for reference purposes only and does not constitute authorization of its use in any format or manner. CONNFLY may enforce its intellectual property rights at its own discretion; failures or delays to exercise such rights does not constitute a waiver of such rights.

REV.	DESCRIPTION	DRAWN	CHECKED	APPROVED
A	NEW RELEASE	WPY 02/08/25'		

Solder contact arrangement and spec

No.of Contacts	2	3	4	5	6	7	9
Male contact face view							
Rated current (A)	13	13	5	5	5	5	3
Contact diameter(mm)	Ø1.6×2	Ø1.6×3	Ø1×4	Ø1×5	Ø1×6	Ø1×7	Ø0.7×9
Rated Voltage (AC.V)	250	250	200	180	125	125	125
Test voltage(AC.V) 1 min	1500	1500	1500	1000	1000	1000	1000
Contact resistance(mΩ)	2.5	2.5	5	5	5	5	10
Wiring method(mm ² /AWG)	≤2/14	≤2/14	≤0.75/20	≤0.75/18	≤0.75/18	≤0.75/18	≤0.5/20

GENERAL TOLERANCE	ANGLE TOLERANCE	PROJECTION		TITLE	12mm push-in fast locking aviation plug (Copper chrome plating)
X. ±0.60 .X ±0.38 .XX ±0.25	X. ±5° .X ±3° .XX ±2°	UNITS	mm	SHEET SIZE	A4
DRAWING TYPE		CUSTOMER		SERIES	DS1110-65 Series
SCALE	1:1	SHEET	7 OF 7	晨翔电子有限公司 CONNFLY CONNFLY ELECTRONIC CO. LTD	
DRAWING NO.	C-DS1110-65-XXXXXX-A				